

Model 9000/9100/9500

9000 Control Valve Assembly

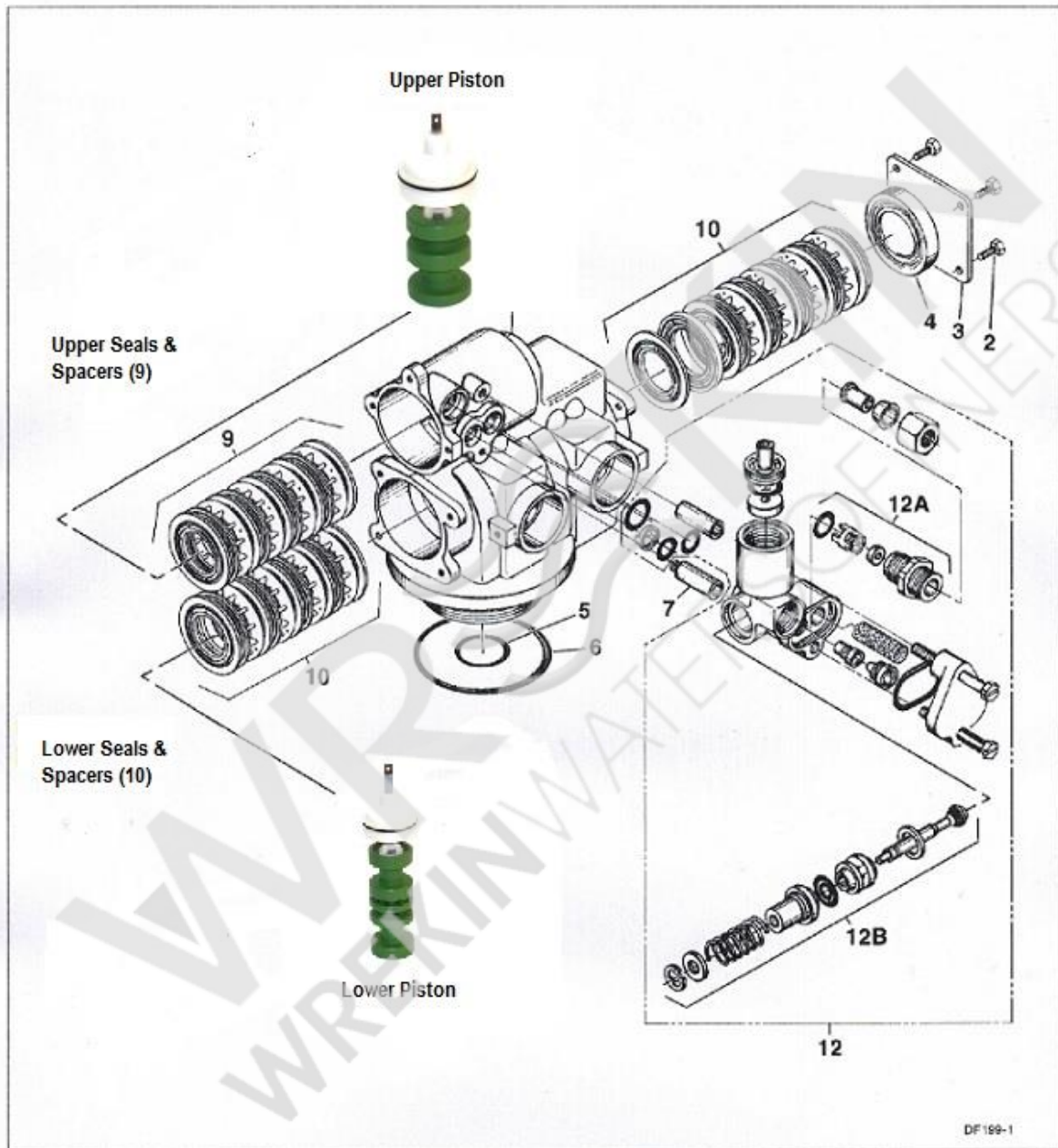


Figure 23

DF199-1